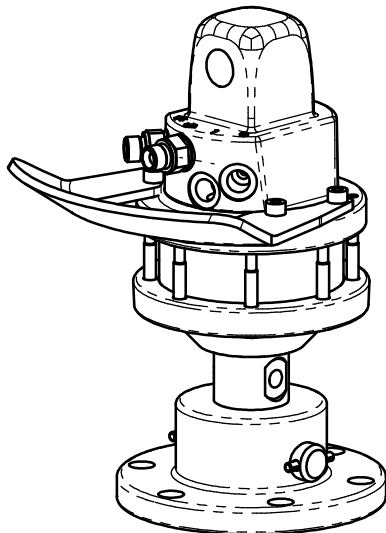
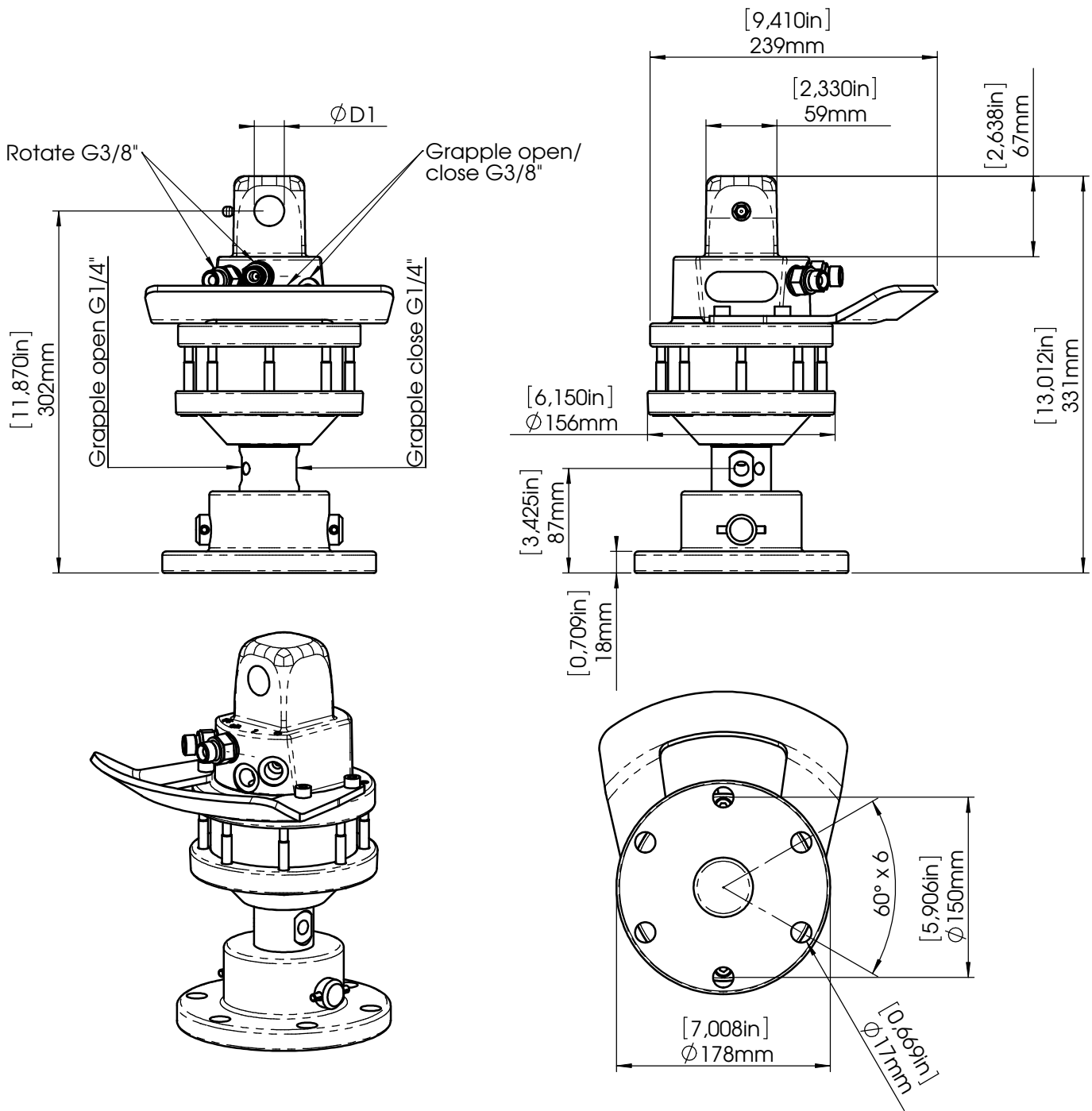
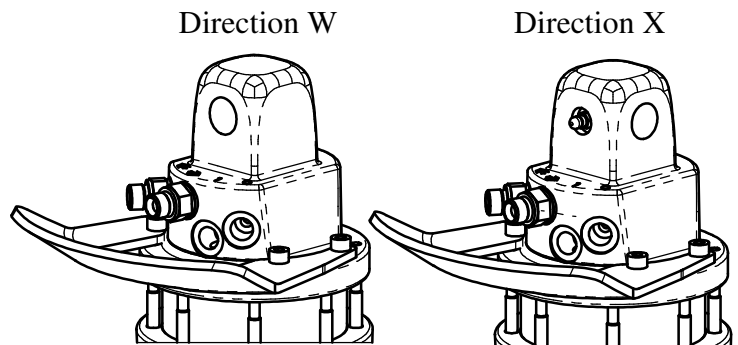


# Rotator FR 7 B150



FR 7 B150	
Rotation angle	Unlimited
Max. working pressure	200 bar
Displacement	300 cm <sup>3</sup>
Torque (200 bar)	780 Nm
Max. axial force	30 kN
Safe working load	2000 kg
Weight	22 kg



Basic models				
Item	Name	Direction	D1	Flange
17047	FR 7-X24B150	X	24	B150
17031	FR 7-X25B150	X	25	B150
17048	FR 7-W25B150	W	25	B150